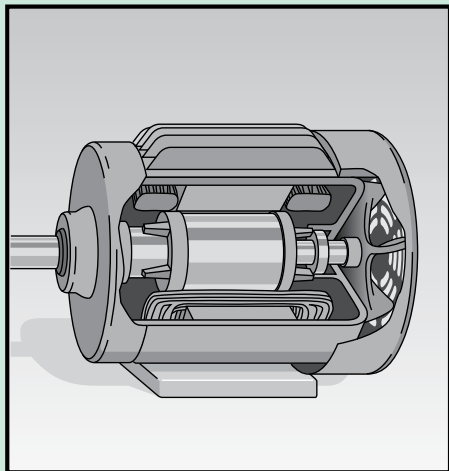


# 2009 REBATE APPLICATION

## 3-Phase Electric Motors & Variable Frequency Drives



### CUSTOM REBATES

Custom rebates may be available for these technologies:

- 250-500 HP motors
- Other variable frequency drive applications or custom technologies not listed on this form.

Please contact Efficiency Vermont for details.

### WORK WITH EFFICIENCY VERMONT

There may be other opportunities to save money and energy, such as with lighting and refrigeration. Please contact Efficiency Vermont's Rebate Coordinator at 888-921-5990, ext. 1003 or [info@efficiencyvermont.com](mailto:info@efficiencyvermont.com).

Efficiency Vermont, the state's energy efficiency utility, helps Vermont businesses and households reduce energy to save money, strengthen the economy, and protect the environment. Include Efficiency Vermont on *your* project team.

Efficiency Vermont provides rebates for installing NEMA Premium® efficiency motors and variable frequency drives in your Vermont business. Before completing this application, review the requirements below and the "Terms & Conditions" on page 4 to ensure your eligibility.

### 1. Determine your equipment's eligibility.

#### 3-Phase Electric Motors

- Motors must be new, meet or exceed the NEMA Nominal Efficiencies listed on the tables on page 2, and operate at least 2,000 hours a year.

#### Variable Frequency Drives (VFDs)

- Eligible VFDs control HVAC supply fans, return fans, exhaust fans, chilled water and heating hot water circulation pumps, 3 to 10 HP only.
- NOT eligible are forward-curve fans with inlet guide vanes, variable pitch vane-axial fans, and VFD installations required by the Vermont Commercial Energy Code. (Contact Efficiency Vermont for all other applications.)
- VFDs must be new and cannot replace existing VFDs.
- VFDs must be controlled by an automatic signal (differential pressure, flow, or temperature).
- Each VFD must include a series reactor (inductor, choke) in its AC input connections. (Your supplier should help with sizing the reactor.) The minimum is a 3% impedance reactor, based on the HP rating of the VFD to be installed.

### 2. Complete this application.

- Fill in the worksheet on page 3, being sure to review the specifications on page 2 to make sure your equipment is eligible.
- Calculate your total rebate and enter the amount in the space provided.
- Read and sign the "Terms & Conditions" on page 4.
- Please check to make sure you've provided all information requested. Incomplete information will delay the processing of your application.

### 3. Return your completed application with your proof(s) of purchase.

- Enclose sales receipt(s) or invoice(s) itemizing your new equipment. The proof of purchase must indicate the date and place of purchase, as well as the size, type, make, and model or part number of the equipment.
- *All electric utility customers except those in Burlington:* Send this completed application with your receipt(s) to Efficiency Vermont, Rebate Coordinator, 255 S. Champlain St., Burlington, VT 05401-4894.
- *Customers served by the Burlington Electric Department:* Send this completed application with your receipt(s) to Energy Services Area, Burlington Electric Department, 585 Pine St., Burlington, VT 05401.

Efficiency Vermont

888-921-5990 • [www.efficiencyvermont.com](http://www.efficiencyvermont.com)

# NEMA PREMIUM®

## QUALIFYING MOTOR EFFICIENCIES & REBATE AMOUNTS

Motor rebates are based on size (horsepower) and NEMA nominal efficiencies. Choose the ODP or TEFC table depending on the type of motor involved, then locate the size (horsepower) of your motor. Verify that your motor meets the NEMA nominal efficiency for your motor speed, then locate the rebate amount for which you are eligible. Enter all of this information into the “Motor Information” table in the form on page 3.

OPEN DRIP-PROOF (ODP) MOTORS				
HP	NEMA Nominal Efficiency			Rebate Amount
	1200 RPM	1800 RPM	3600 RPM	
1	82.5 %	85.5 %	77.0 %	\$45
1.5	86.5 %	86.5 %	84.0 %	\$45
2	87.5 %	86.5 %	85.5 %	\$54
3	88.5 %	89.5 %	85.5 %	\$54
5	89.5 %	89.5 %	86.5 %	\$54
7.5	90.2 %	91.0 %	88.5 %	\$81
10	91.7 %	91.7 %	89.5 %	\$90
15	91.7 %	93.0 %	90.2 %	\$104
20	92.4 %	93.0 %	91.0 %	\$113
25	93.0 %	93.6 %	91.7 %	\$117
30	93.6 %	94.1 %	91.7 %	\$135
40	94.1 %	94.1 %	92.4 %	\$162
50	94.1 %	94.5 %	93.0 %	\$198
60	94.5 %	95.0 %	93.6 %	\$234
75	94.5 %	95.0 %	93.6 %	\$270
100	95.0 %	95.4 %	93.6 %	\$360
125	95.0 %	95.4 %	94.1 %	\$540
150	95.4 %	95.8 %	94.1 %	\$630
200	95.4 %	95.8 %	95.0 %	\$630

TOTALLY ENCLOSED, FAN-COOLED (TEFC) MOTORS				
HP	NEMA Nominal Efficiency			Rebate Amount
	1200 RPM	1800 RPM	3600 RPM	
1	82.5 %	85.5 %	77.0 %	\$50
1.5	87.5 %	86.5 %	84.0 %	\$50
2	88.5 %	86.5 %	85.5 %	\$60
3	89.5 %	89.5 %	86.5 %	\$60
5	89.5 %	89.5 %	88.5 %	\$60
7.5	91.0 %	91.7 %	89.5 %	\$90
10	91.0 %	91.7 %	90.2 %	\$100
15	91.7 %	92.4 %	91.0 %	\$115
20	91.7 %	93.0 %	91.0 %	\$125
25	93.0 %	93.6 %	91.7 %	\$130
30	93.0 %	93.6 %	91.7 %	\$150
40	94.1 %	94.1 %	92.4 %	\$180
50	94.1 %	94.5 %	93.0 %	\$220
60	94.5 %	95.0 %	93.6 %	\$260
75	94.5 %	95.4 %	93.6 %	\$300
100	95.0 %	95.4 %	94.1 %	\$400
125	95.0 %	95.4 %	95.0 %	\$600
150	95.8 %	95.8 %	95.0 %	\$700
200	95.8 %	96.2 %	95.4 %	\$700

## REBATE AMOUNTS FOR HVAC VARIABLE FREQUENCY DRIVES

HVAC Equipment Controlled
Supply Fan
Return Fan
Exhaust Fan
Chilled Water Pump
Heating Hot Water Circulation Pump

**Step 1:** Select the type of equipment controlled by the new VFD from the “HVAC Equipment Controlled” table at left.

**Step 2:** Select VFD size from the “VFD Size” table at right.

**Step 3:** Find the appropriate rebate amount for your VFD.

**Step 4:** Enter all of this information into the “VFD Information” table in the form on page 3.

VFD Size	Rebate Amount
3.0 HP	\$500
5.0 HP	\$750
7.5 HP	\$1,000
10.0 HP	\$1,200

# 2009 REBATE APPLICATION • 3-PHASE ELECTRIC MOTORS & VFDs

COMPLETE PAGES 3 AND 4 OF THIS FORM & SUBMIT WITH YOUR PROOF(S) OF PURCHASE.

## MOTOR INFORMATION (Obtain rebate amount from upper tables on page 2.)

Manufacturer	ODP or TEFC?	HP	RPM	Model #	NEMA Efficiency	Annual Run Hrs.	Function	Location	A: Rebate Amt. Each (see table)	B: Quantity	Rebate Amt. A x B
Sample Co.	ODP	30	3600	RR/C1957	93.6%	4400	HVAC Pump	Mech. Rm. 4	\$135	1	\$135
<b>TOTAL MOTOR REBATE:</b>											

## VFD INFORMATION (Obtain rebate amount from lower table on page 2.)

Equipment controlled by Variable Frequency Drive (supply fan, return fan, exhaust fan, or chilled water pump)	Location Where Installed	HP (3, 5, 7.5, 10)	A: Rebate Amt. Each (see table)	B: Quantity	Rebate Amt. A x B
Supply Fan	Mechanical Room 2	7.5	\$1,000	1	\$1,000
<b>TOTAL VFD REBATE:</b>					

**TOTAL REBATE REQUESTED \$** \_\_\_\_\_

Return this completed form (both sides) to Efficiency Vermont with your proof(s) of purchase.

## TERMS & CONDITIONS

**REBATE OFFER:** This rebate program covers equipment purchased and installed in 2009. Details of this program, including rebate levels, are subject to change without notice.

**ELIGIBILITY:** Rebates through this program are available to business customers of electric utilities in Vermont. Contact Burlington Electric Department at 802-865-7342 for all Burlington projects.

**ELIGIBLE EQUIPMENT:** Equipment must be new to qualify for rebates. Review the equipment eligibility requirements on pages 1 and 2 to ensure eligibility before completing this form. Equivalent products must be pre-approved by Efficiency Vermont. Contact Efficiency Vermont for information about additional equipment not listed on this form that may qualify for custom rebates.

**PROOFS OF PURCHASE:** Sales receipt(s) or invoice(s) itemizing the new equipment and indicating the size, type, make, model, purchase date, and vendor must accompany each rebate application.

**PAYMENT:** Equipment must be purchased and installed before payment is issued. Falsifying any information may lead to cancellation of this and future rebate applications, a claim by Efficiency Vermont for the return of any rebate, and/or referral for prosecution. Allow 45 days for delivery of payment. Submitting an application with incomplete or missing information will delay check processing and delivery. Efficiency Vermont will not pay more than 100% of the material purchase price shown on the invoice.

**APPROVAL & VERIFICATION:** Rebates exceeding \$2,500 require pre-approval by Efficiency Vermont before purchase. Efficiency Vermont reserves the right to verify sales transactions and to inspect all installations.

**TAX LIABILITY:** Efficiency Vermont is not responsible for any tax liability imposed on the customer for rebate payments.

**ENDORSEMENT:** Efficiency Vermont does not endorse any particular manufacturers, products, or system designs in promoting this program.

**DISPOSAL:** The customer/contractor is responsible for the proper disposal/recycling, including all associated costs, of any waste generated as a result of this project.

**SAFETY & BUILDING CODES:** The customer/contractor agrees that each measure complies with all federal, state, and local safety, building, and environmental codes, and that all necessary permits have been obtained. All products must be UL-listed and installed per manufacturer's instructions.

**CONTRACTOR'S CERTIFICATION:** If the equipment listed on this application was installed by a contractor, the contractor verifies that the equipment has been installed correctly.

**CUSTOMER ASSURANCES:** If the facility is leased or managed by customer, customer must obtain written permission from owner to install new equipment.

**CONFIDENTIALITY:** All customer, vendor, and/or contractor information supplied to Efficiency Vermont will be kept confidential and will not be shared with any person or organization.

**DISCLAIMER OF WARRANTIES:** Efficiency Vermont does not warrant the performance of any equipment either expressly or implicitly. Contact your supplier or contractor for details regarding equipment warranties.

**CAPACITY CREDITS/ENVIRONMENTAL CREDITS:** In accepting these financial incentives, the customer agrees that Efficiency Vermont holds the sole rights to any electric system capacity credits and/or environmental credits associated with the energy efficiency measures for which incentives have been received. These credits will be used for the benefit of Vermont ratepayers.

Contact Efficiency Vermont for details on other eligible measures and services, or for answers to any questions you may have about equipment eligibility for this program. Call Efficiency Vermont's Rebate Coordinator toll-free at 888-921-5990, ext. 1003.

## VENDOR/CONTRACTOR INFORMATION

Company Name	Contractor/Salesperson Name	Telephone #	E-mail Address
--------------	-----------------------------	-------------	----------------

Street Address	Town/City & State	ZIP Code	Fax #
----------------	-------------------	----------	-------

Please make check payable to: \_\_\_\_\_

Request for Federal Tax Payer Identification Number (TIN) – REQUIRED (please select one)

Corporation (TIN not needed)     Tax-Exempt Organization (TIN not needed)     City, County, or State Dept., Govt. or Agency (TIN not needed)

All Others (please provide TIN at right)

Social security number	or	Employer identification number																																								
<table border="1"> <tr><td> </td><td> </td><td> </td><td> </td><td> </td><td> </td><td> </td><td> </td><td> </td><td> </td></tr> <tr><td> </td><td> </td><td> </td><td> </td><td> </td><td> </td><td> </td><td> </td><td> </td><td> </td></tr> </table>																						<table border="1"> <tr><td> </td><td> </td><td> </td><td> </td><td> </td><td> </td><td> </td><td> </td><td> </td><td> </td></tr> <tr><td> </td><td> </td><td> </td><td> </td><td> </td><td> </td><td> </td><td> </td><td> </td><td> </td></tr> </table>																				

## CUSTOMER INFORMATION & AGREEMENT

Company Name	Contact Name/Title	Telephone #	E-mail Address
--------------	--------------------	-------------	----------------

Address (of installation)	Town/City & State	ZIP Code	Fax #
---------------------------	-------------------	----------	-------

Mailing Address (if different)	Town/City & State	ZIP Code	
--------------------------------	-------------------	----------	--

Electric Utility	Utility Account #	Building Sq. Ft.	Installation Date
------------------	-------------------	------------------	-------------------

Is this a New Construction/Major Renovation Project?  Yes  No

Please make check payable to: \_\_\_\_\_

Request for Federal Tax Payer Identification Number (TIN) – REQUIRED (please select one)

Corporation (TIN not needed)     Tax-Exempt Organization (TIN not needed)     City, County, or State Dept., Govt. or Agency (TIN not needed)

All Others (please provide TIN at right)

Social security number	or	Employer identification number																																								
<table border="1"> <tr><td> </td><td> </td><td> </td><td> </td><td> </td><td> </td><td> </td><td> </td><td> </td><td> </td></tr> <tr><td> </td><td> </td><td> </td><td> </td><td> </td><td> </td><td> </td><td> </td><td> </td><td> </td></tr> </table>																						<table border="1"> <tr><td> </td><td> </td><td> </td><td> </td><td> </td><td> </td><td> </td><td> </td><td> </td><td> </td></tr> <tr><td> </td><td> </td><td> </td><td> </td><td> </td><td> </td><td> </td><td> </td><td> </td><td> </td></tr> </table>																				

I certify that I meet the eligibility requirements of this program and that all statements made on both sides of this application, including invoices/receipts, are correct to the best of my knowledge. I agree to the terms and conditions set forth above.



Efficiency Vermont  
255 S. Champlain St., Suite 7 • Burlington, VT 05401-4894  
888-921-5990 toll-free • 802-658-1643 fax  
www.efficiencyvermont.com

For Internal Use

Customer's Signature \_\_\_\_\_ Date \_\_\_\_\_

Efficiency Vermont Approval \_\_\_\_\_ Tracking # \_\_\_\_\_