

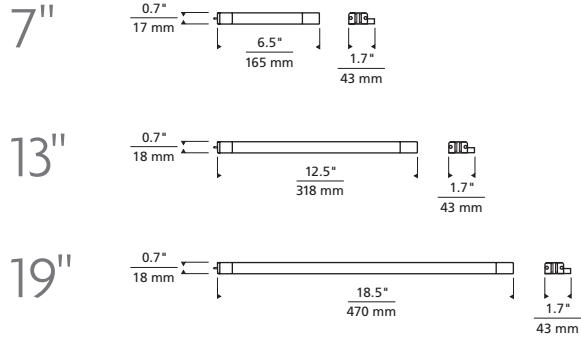
LED Light Bar



BLACK
(SHOWN OFF)



BLACK
(SHOWN ON)



DESCRIPTION

For undercabinet, task, display and cove applications where space is limited but performance is crucial, LED Light Bar offers the best combination of compact size, performance and versatility. LED Light Bar's ultra slim housing design and unique snap-together connectors allow for twenty feet of uninterrupted, uniform light without the use of wire jumpers. With three convenient lengths, two color temperature options, two CRI options, two finish colors and several accessories; customizing a LED Light Bar for one-of-a-kind applications is easy. Including options for flush or angled mounting for optimal light distribution.

POWER & DIMMING

Each unit is powered by a remote or plug-in 24v DC power supply available in varying wattages based on run length and

number of fixtures per system. Units are dimmable using an ELV dimmer to 5-15% depending on dimmer selected. Power supplies and connectors are required and sold separately. Please see accessory page for accessory ordering details.

TECHNICAL SPECIFICATIONS

	7" Length	13" Length	19" Length
System Power:	4.0 watts	8.0 watts	12.0 watts
System Efficacy:	65 lms/watt	65 lms/watt	65 lms/watt
Lumens Per Foot:	520	520	520
Color Temperatures:	2700K, 3000K	2700K, 3000K	2700K, 3000K
Color Rendering Index:	80+, 90+	80+, 90+	80+, 90+
Power Factor:	0.95	0.95	0.95
Input Power:	24V DC	24V DC	24V xDC
Dimming:	To 5%-15% Depending on Dimmer	To 5%-15% Depending on Dimmer	To 5%-15% Depending on Dimmer
Warranty:	5 years	5 years	5 years

ORDERING INFORMATION

700UCRD	LENGTH	CRI	COLOR TEMPERATURE	FINISH	LAMP TYPE
07	7"	8	80+ 27 2700K	B BLACK	-LED LED
13	13"	9	90+ 30 3000K	W WHITE	
19	19"				

700UCRD _____ -LED

FIXTURE TYPE: _____

JOB NAME: _____