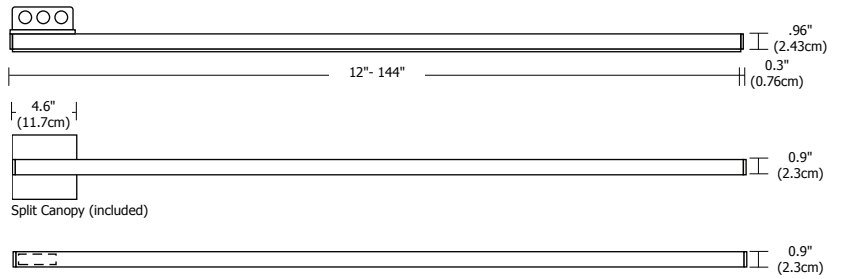
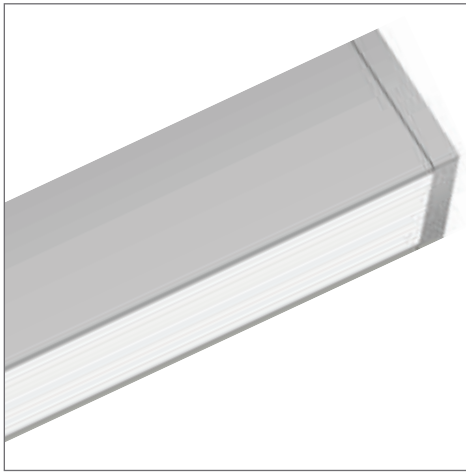


CHANNEL WALL WASH 24VDC SYSTEM, 85+ OR 95+CRI



MADE IN THE USA



Description:

At 7.5 or 10 watts per foot, Channel Wall Wash contains 85+ or 95+ CRI LEDs. Fixture mounts 24" from wall, and includes a split canopy that mounts on standard junction box. May be ordered with a Slim Profile Channel Junction Box (C-1RE-JBOX). Mounting clips are provided every 18 inches. is powered by a Class 2 remote power supply up to 40 feet away. Available from 12 inches to 120 inches/10 feet (10DC) or to 144 inches/12 feet (7WDC). May be ordered in 3, 5, 8 or 10 inch increments. Lengths greater than 120 inches will ship as two or more segments that join together. Fixtures include a 5 year warranty.

Finishes:

Satin Nickel, Chrome, Antique Bronze, Satin Aluminum, White and Satin Black; Custom finishes available

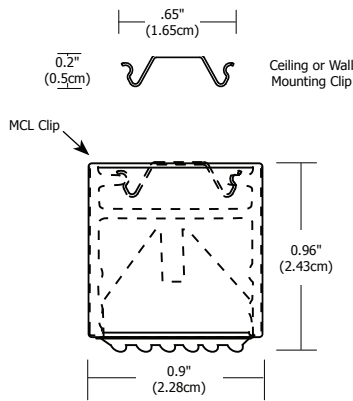
Applications:

Wall wash, general lighting, retail and IP64 outdoor applications

Lamp:

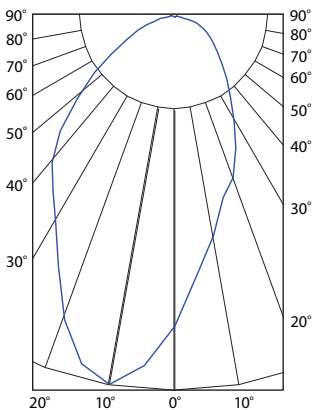
Version	Watts per Foot	Lumens per Watt per Foot		85+CRI	95+CRI	50,000 Hour
		per Watt	per Foot	24K, 35K, 40K, 57K	27K, 30K	Lamp Life
7WDC	7.5	37	340	●	●	●
10DC	10			●	●	●

Lumen values are based on the 3000K LED test.



CIRRUS WALL WASH

CANDLEPOWER DISTRIBUTION



Power Supply (24VDC):

PSB-25W-010-24VDC 120VAC input, 25 watt output

TEB-60L-24DC 120VAC input, 60 watt output

PSB-60W-ELV-24VDC 120VAC input, 60 watt output

PSB-96W-010-24VDC 120-277VAC input, 96 watt output

PSB-100W-ELV-24VDC 120VAC input, 96 watt output

PSB-2X96W-010-24VDC 120-277VAC input, 2x96 watt output

PSB-2X100W-ELV-24VDC 120VAC input, 2x96 watt output

Slim-Profile Junction Box (sold separately):

The Slim-Profile Junction Box with hanger bars mounts to studs spaced between 14.5" - 25" apart behind drywall. Allows low voltage DC wires from remote power supply to connect to channel wires. Junction box opening is covered by the fixture for a clean, safe connection. Includes a goof plate, for poor plastering around j-box, which may be plastered and painted.

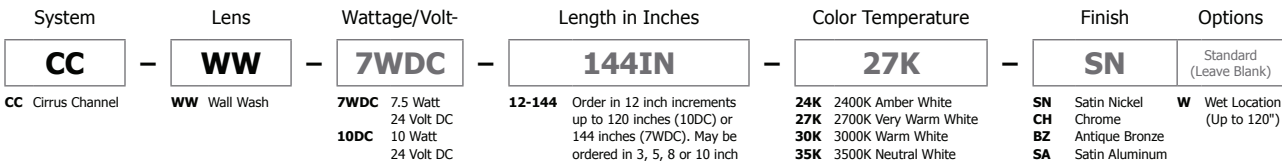
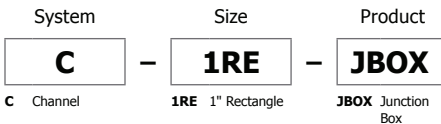
Dimming:

010 power supplies use 0-10V dimmer: Sunrise SR1200ZTUNV.

ELV power supplies use ELV dimmer: Adorne ADTP703TU;

Diva DVELV-300P, Skylark SELV-300P, Maestro MAELV-600 and

Radio Ra 2



PROJECT:

FIXTURE TYPE:

DATE: