

ECO2L3D

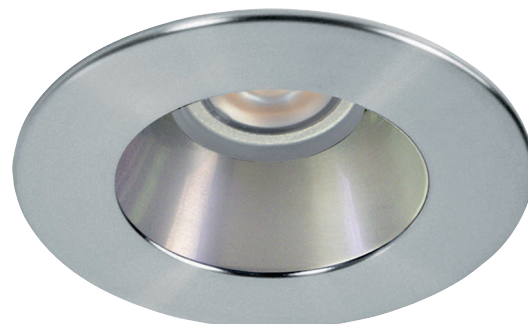
3-1/2" ECO²LED Series

Project
Notes
Fixture Type
Date

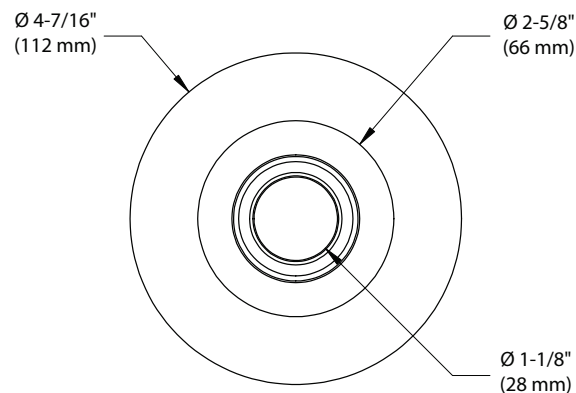
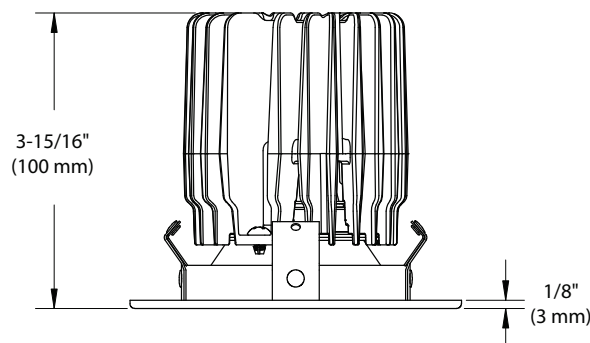
Round Regressed Trim

SPECIFICATIONS

COLOR TEMPERATURE	2700K or 3000K	
CRI	80 + 90 +	
LED MODULE	Lumiled Luxeon CoB 9W, delivers a lumen maintenance greater than 70% after 50,000 hours of operation (L ₇₀). Provides a clean white light without pixilation and produces a high quality true color, nside 3 steps MacAdam ellipse.	
LUMENS OUTPUT	Up to 732 Lumens, 68 Lms/W	
LIFESPAN	50,000 hours	
TRIM	Powder coat painted or plated die-formed steel. Different finishes available. Painted finishes available with Marine Grade option.	
BEAM	M: Narrow Flood → 30° W: Wide Flood → 54°	
HEAT SINK	Very high quality injected aluminum ensuring maximum heat dissipation.	
REFLECTOR	Anodized Natural Anodized (AN)	Painted White (01) Matte White (11)
	<ul style="list-style-type: none"> • White reflector (01) available only with White trim finish (01) • Matte White reflector (11) available only with Matte White trim finish (11) 	
CEILING CUTOUT	Ø 3-5/8" (92 mm)	
COMPATIBLE HOUSINGS	IC and Airtight Remodel Housing: ECO2REL300 IC and Airtight New Construction Housing: ECO2NWL300 IC and Airtight Box: ECO2ISL300	
CERTIFICATION	<ul style="list-style-type: none"> • cULus E343977 for damp locations • Energy Star® certification pending • Title 24 compliant 	
WARRANTY	5-year warranty on ECO ² LED Module and Driver.	



ECO2L3D-04BR (illustrated)



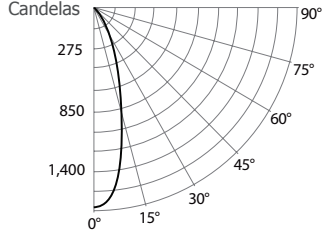
ECO2L3D

3-1/2" ECO²LED Series

PHOTOMETRIC DATA

2700K, 80+ CRI, Narrow Flood

CANDLEPOWER DISTRIBUTION



LIGHT CONE

Distance	FC	DIA
06'	47,1	3,3'
08'	26,5	4,4'
10'	17,0	5,5'
12'	11,8	6,6'
14'	8,7	7,7'

Beam: 31°
Beam Edge defined as 50% of Maximum Nadir Candle-power.

LUMINAIRE

ECO2L3D	2700K Narrow Flood
Equivalent Lamp	75W PAR30
CBCP / Lumens	1,697 / 653
Watts	120V 10,7W
Operating AMPS	0,099A
Lumen Maintenance	L70 @ 50,000 Hrs
CRI	80 +
Lumens/Watt	63,2
Spacing Criteria	0,5

COEFFICIENT OF UTILIZATION - %

Ceiling Reflect %	80		50		30	
Wall Reflect %	50	30	50	30	50	30
RCR	0	119	119	111	111	106
	2	105	102	101	98	98
	4	95	90	91	88	89
	6	86	81	83	79	82
	8	78	73	77	72	76
	10	72	67	71	67	70

Zonal Cavity Method

Effective Floor Cavity Reflectance 20%

ZONAL LUMEN SUMMARY

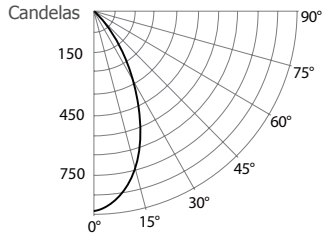
ZONE	LUMENS	%LUMINAIRE
0-30	556	85,20%
0-40	634	97,20%
0-60	651	99,80%
60-90	1	0,20%
0-90	653	100%

CANDELAS DISTRIBUTION

DEGREES/ VERTICAL	CANDELAS	DEGREES/ VERTICAL	CANDELAS
0	1,697	45	14
5	1,573	55	4
10	1,255	65	1
15	876	75	0
20	580	85	0
25	376	90	0
35	120		

2700K, 80+ CRI, Wide Flood

CANDLEPOWER DISTRIBUTION



LIGHT CONE

Distance	FC	DIA
06'	24,8	5,9'
08'	14,0	7,9'
10'	8,9	9,9'
12'	6,2	11,8'
14'	4,6	13,8'

Beam: 53°
Beam Edge defined as 50% of Maximum Nadir Candle-power.

LUMINAIRE

ECO2L3D	2700K Wide Flood
Equivalent Lamp	75W PAR30
CBCP / Lumens	894 / 678
Watts	120V 10,7W
Operating AMPS	0,099A
Lumen Maintenance	L70 @ 50,000 Hrs
CRI	80 +
Lumens/Watt	65,2
Spacing Criteria	0,8

COEFFICIENT OF UTILIZATION - %

Ceiling Reflect %	80		50		30	
Wall Reflect %	50	30	50	30	50	30
RCR	0	119	119	111	111	106
	2	104	100	99	96	96
	4	91	85	88	83	86
	6	80	74	78	73	77
	8	71	66	70	65	69
	10	64	58	63	58	62

Zonal Cavity Method

Effective Floor Cavity Reflectance 20%

ZONAL LUMEN SUMMARY

ZONE	LUMENS	%LUMINAIRE
0-30	502	74%
0-40	637	93,90%
0-60	677	99,90%
60-90	0,4	0,10%
0-90	678	100%

CANDELAS DISTRIBUTION

DEGREES/ VERTICAL	CANDELAS	DEGREES/ VERTICAL	CANDELAS
0	894	45	42
5	872	55	3
10	814	65	0
15	727	75	0
20	615	85	0
25	481	90	0
35	216		



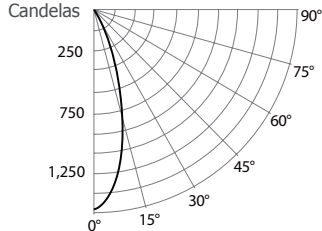
ECO2L3D

3-1/2" ECO²LED Series

PHOTOMETRIC DATA

2700K, 90+ CRI, Narrow Flood

CANDLEPOWER DISTRIBUTION



LIGHT CONE

Distance	FC	DIA
06'	40,8	3,3'
08'	22,9	4,4'
10'	14,7	5,5'
12'	10,2	6,6'
14'	7,5	7,7'

Beam: 31°
Beam Edge defined as 50% of Maximum Nadir Candle-power.

LUMINAIRE

ECO2L3D	2700K Narrow Flood
Equivalent Lamp	75W PAR30
CBCP / Lumens	1,467 / 564
Watts	120V 10,7W
Operating AMPS	0,099A
Lumen Maintenance	L70 @ 50,000 Hrs
CRI	90 +
Lumens/Watt	54,3
Spacing Criteria	0,5

COEFFICIENT OF UTILIZATION - %

Ceiling Reflect %	80		50		30	
Wall Reflect %	50	30	50	30	50	30
RCR	0	119	119	111	111	106
	2	105	102	101	98	98
	4	95	90	91	88	89
	6	86	81	83	79	82
	8	78	73	77	72	76
	10	72	67	71	67	70

Zonal Cavity Method

Effective Floor Cavity Reflectance 20%

ZONAL LUMEN SUMMARY

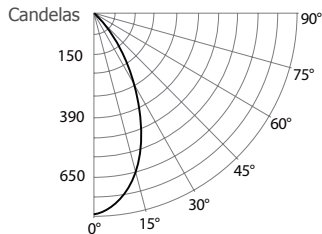
ZONE	LUMENS	%LUMINAIRE
0-30	481	85,20%
0-40	548	97,20%
0-60	563	99,80%
60-90	1	0,20%
0-90	564	100%

CANDELAS DISTRIBUTION

DEGREES/ VERTICAL	CANDELAS	DEGREES/ VERTICAL	CANDELAS
0	1,467	45	12
5	1,360	55	3
10	1,085	65	1
15	757	75	0
20	502	85	0
25	325	90	0
35	103		

2700K, 90+ CRI, Wide Flood

CANDLEPOWER DISTRIBUTION



LIGHT CONE

Distance	FC	DIA
06'	21,5	5,9'
08'	12,1	7,9'
10'	7,7	9,9'
12'	5,4	11,8'
14'	3,9	13,8'

Beam: 53°
Beam Edge defined as 50% of Maximum Nadir Candle-power.

LUMINAIRE

ECO2L3D	2700K Wide Flood
Equivalent Lamp	75W PAR30
CBCP / Lumens	773 / 586
Watts	120V 10,7W
Operating AMPS	0,099A
Lumen Maintenance	L70 @ 50,000 Hrs
CRI	90 +
Lumens/Watt	56
Spacing Criteria	0,8

COEFFICIENT OF UTILIZATION - %

Ceiling Reflect %	80		50		30	
Wall Reflect %	50	30	50	30	50	30
RCR	0	119	119	111	111	106
	2	104	100	99	96	96
	4	91	85	88	83	86
	6	80	74	78	73	77
	8	71	66	70	65	69
	10	64	58	63	58	62

Zonal Cavity Method

Effective Floor Cavity Reflectance 20%

ZONAL LUMEN SUMMARY

ZONE	LUMENS	%LUMINAIRE
0-30	434	74%
0-40	551	93,90%
0-60	586	99,90%
60-90	0,3	0,10%
0-90	586	100%

CANDELAS DISTRIBUTION

DEGREES/ VERTICAL	CANDELAS	DEGREES/ VERTICAL	CANDELAS
0	773	45	37
5	754	55	2
10	704	65	0
15	629	75	0
20	532	85	0
25	416	90	0
35	187		



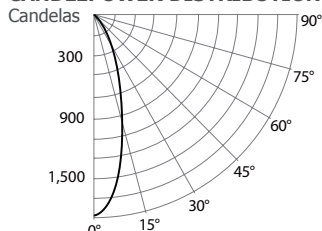
ECO2L3D

3-1/2" ECO²LED Series

PHOTOMETRIC DATA

3000K, 80+ CRI, Narrow Flood

CANDLEPOWER DISTRIBUTION



LIGHT CONE

Distance	FC	DIA
06'	49,1	3,3'
08'	27,6	4,4'
10'	17,7	5,5'
12'	12,3	6,6'
14'	9,0	7,7'

Beam: 31°
Beam Edge defined as 50% of Maximum Nadir Candle-power.

LUMINAIRE

ECO2L3D	3000K Narrow Flood
Equivalent Lamp	50W MR16
CBCP / Lumens	1,767 / 680
Watts	120V 10,7W
Operating AMPS	0,099A
Lumen Maintenance	L70 @ 50,000 Hrs
CRI	80 +
Lumens/Watt	66,1
Spacing Criteria	0,5
Certificat LM79-08	472934

COEFFICIENT OF UTILIZATION - %

Ceiling Reflect %	80		50		30	
Wall Reflect %	50	30	50	30	50	30
RCR	0	119	119	111	111	106
	2	105	102	101	98	98
	4	95	90	91	88	89
	6	86	81	83	79	82
	8	78	73	77	72	76
	10	72	67	71	67	70

Zonal Cavity Method
Effective Floor Cavity Reflectance 20%

ZONAL LUMEN SUMMARY

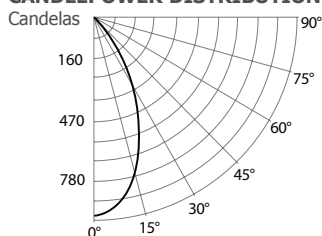
ZONE	LUMENS	%LUMINAIRE
0-30	579	85,20%
0-40	661	97,20%
0-60	678	99,80%
60-90	1	0,20%
0-90	680	100%

CANDELAS DISTRIBUTION

DEGREES/ VERTICAL	CANDELAS	DEGREES/ VERTICAL	CANDELAS
0	1,767	45	15
5	1,638	55	4
10	1,308	65	1
15	912	75	0
20	604	85	0
25	392	90	0
35	124		

3000K, 80+ CRI, Wide Flood

CANDLEPOWER DISTRIBUTION



LIGHT CONE

Distance	FC	DIA
06'	25,9	5,9'
08'	14,5	7,9'
10'	9,3	9,9'
12'	6,5	11,8'
14'	4,8	13,8'

Beam: 53°
Beam Edge defined as 50% of Maximum Nadir Candle-power.

LUMINAIRE

ECO2L3D	3000K Wide Flood
Equivalent Lamp	50W MR16
CBCP / Lumens	931 / 706
Watts	120V 10,7W
Operating AMPS	0,099A
Lumen Maintenance	L70 @ 50,000 Hrs
CRI	80 +
Lumens/Watt	68,3
Spacing Criteria	0,8
Certificat LM79-08	472936

COEFFICIENT OF UTILIZATION - %

Ceiling Reflect %	80		50		30	
Wall Reflect %	50	30	50	30	50	30
RCR	0	119	119	111	111	106
	2	104	100	99	96	96
	4	91	85	88	83	86
	6	80	74	78	73	77
	8	71	66	70	65	69
	10	64	58	63	58	62

Zonal Cavity Method
Effective Floor Cavity Reflectance 20%

ZONAL LUMEN SUMMARY

ZONE	LUMENS	%LUMINAIRE
0-30	523	74%
0-40	663	93,90%
0-60	706	99,90%
60-90	0,4	0,10%
0-90	706	100%

CANDELAS DISTRIBUTION

DEGREES/ VERTICAL	CANDELAS	DEGREES/ VERTICAL	CANDELAS
0	931	45	44
5	909	55	3
10	848	65	0
15	758	75	0
20	641	85	0
25	501	90	0
35	225		

